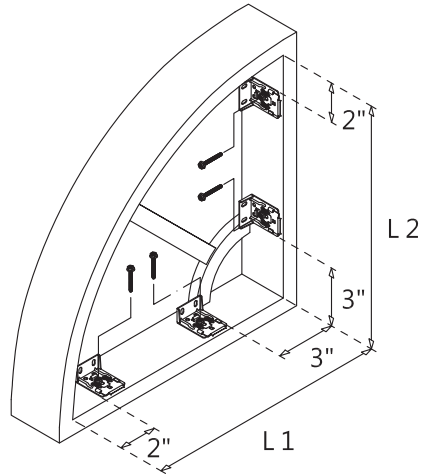
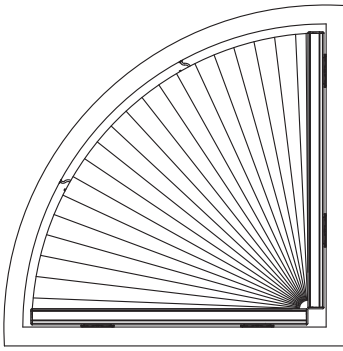


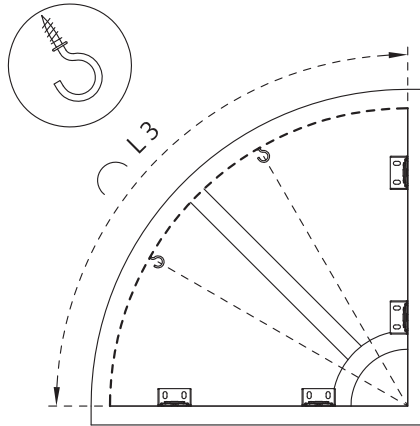
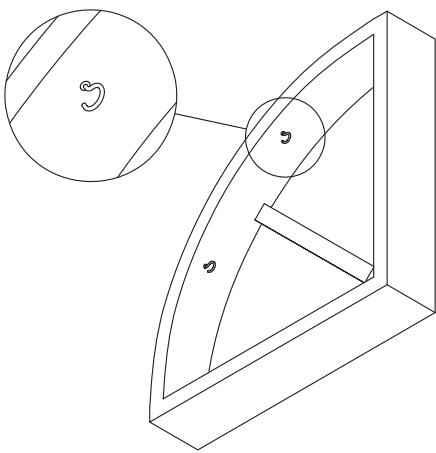
A



Quantities of the brackets	
Rail	Qty
Vertical rail (L2)	2
Horizontal rail (L1)	2

Quantities of the hook screws	
L3	Qty
9" ~ 12"	1
12.1" ~ 24"	2
24.1" ~ 36"	3
36.1" ~ 50"	4

Please separate the location of the hook screws evenly.



Adjust the location of the hook screw when needed.
Hook it to the cell area, not the junction between 2 cells.

